



LET'S BUILD A BETTER FUTURE

 FRONT ENTRY DOORS / **AD** series



Comfort is just a step away

Front entry doors, aren't they one of the most important parts of our home? They protect us from the cold, from the rain or the burglars, to mention just these examples. Doors also keeps us away from street noise. But how do you make the right choice, and buy a door that will meet our expectations and serve us for years?

An issue that requires careful consideration before the purchase is the heat transfer coefficient (U). The lower its value, the more heat will stay with us inside. Aluprof offers panelled doors with the U_D coefficient of 0.44 W/(m²K).

When choosing our door, let's not forget to check out their water resistance. It's the water resistance of the door that will keep the driving rain outside in times of strong winds and heavy rain. Water resistance of the front entry door is rated from 3A to 9A. The higher the class, the better the door protects our home. Aluprof offers panelled doors rated 7A.

Infill panels are included in door leaves based on the MB-70, MB-79N, MB-86 & MB-104 Passive system, and come in a variety of colours and structures. The elements can be milled, decorated with applications or made of insulated glass. Panelled doors can be fabricated very large and high – up to 1.40 m (W) and almost 2.60 m (H). If, therefore, we dream of an impressive front entrance, this will be the perfect choice. But above all, the door should fit to the style of your home. If our interiors are the traditional ones, we should opt for a leaf with glass panels or wooden-like veneer. Lovers of modern interior can choose among RAL colours, think shade of graphite.

Let's take some time and choose a door with which we will create a beautiful entrance that will enchant our guests and will make us feel like we were in a safe haven.

MB-104 Passive

U_D from 0.44 W/m²K

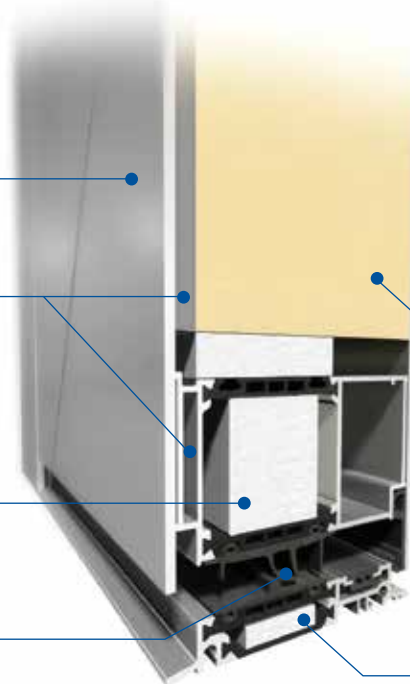
Aluprof's panel door uses thermally insulated aluminium profile system – MB-104 Passive is the most technologically advanced door system offered by Aluprof. The leaf profile can be combined with special infills, aligned with the surface of the frame. The system is dedicated to passive and energy-efficient buildings

Aesthetically pleasing, decorative panels are available in various designs and RAL colours

Expansion profiles and door leaf panels

Design variants: SI, SI+ and AERO

Central gaskets around the leaf and the frame to seal, cover, and increase the thermal insulation of the door



Technical details:

Frame depth	95 mm
Leaf depth	95 mm
Infill panel thickness	44 - 95 mm
Maximum dimensions of the leaf	(H×L) L up to 1400 mm, H up to 2600 mm

Technical parameters:

Air permeability	Class 3, EN 12207
Water tightness	Class E1200 (1200 Pa), EN 12208
Wind load resistance	Class C4/B4, EN 12210
Thermal insulation	U_D from 0.44 W/m ² K
Burglary-resistance	RC2

High density polyurethane foam (PUR) with high thermal performance

95 mm wide threshold the frame and threshold are the same width, providing a desirable flush finish

MB-86

U_D from 0.66 W/m²K

Aluprof's panel doors use thermally insulated aluminium profile system – MB-86 – which, just like the MB-104 Passive system, is dedicated to energy-efficient and passive building. The leaf profile can be combined with special infills, aligned with the surface of the frame.

Technical details:

Frame depth	77 mm
Leaf depth	77 mm
Infill panel thickness	44 - 77 mm
Maximum dimensions of the leaf	(H×L) L up to 1400 mm, H up to 2600 mm

Technical parameters:

Air permeability	Class 3, EN 12207
Water tightness	Class E900 (900 Pa), EN 12208
Wind load resistance	Class C5/B5, EN 12210
Thermal insulation	U_D from 0.66 W/m ² K
Burglary-resistance	RC2

Aesthetically pleasing, decorative panels are available in various designs and RAL colours

Expansion profiles and door leaf panels

They come in four versions: ST, SI, SI+ and AERO for a very good thermal performance



Excellent thermal insulation thanks to the polyurethane foam (PUR)

Rigid and durable aluminium profiles permit the fabrication of large-dimensioned doors

Specially designed weather strips provide high water tightness and low air permeability, bringing both a comfort and a potential for cost savings

MB-79N

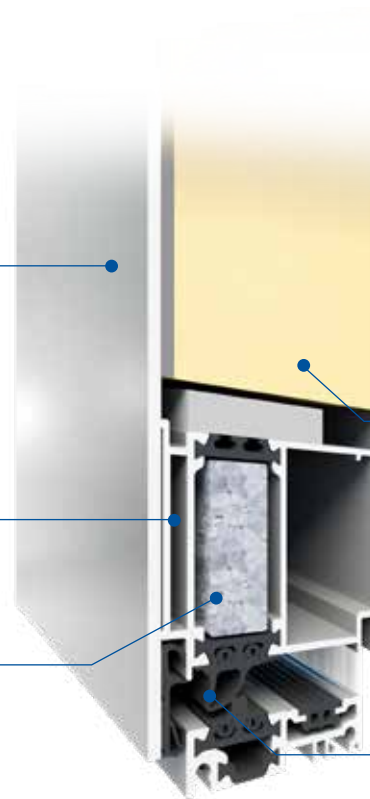
U_D from 0,7 W/m²K

Aluprof's panel door uses popular, thermally insulated aluminium profile system – MB-79N ST, MB-79N SI and MB-79N SI+. The leaf profile can be combined with special infills, aligned with the surface of the frame.

Elegant decorative panels, available in many different patterns and RAL colours and wood effect finishes

Expansion profiles

They come in three versions: MB-79N ST, MB-79N SI and MB-79N SI+, for a very good thermal performance

**Technical details:**

Frame depth	70 mm
Leaf depth	70 mm
Infill panel thickness	44 -70 mm
Maximum dimensions of the leaf	(H×L) L up to 1400 mm, H up to 2600 mm

Technical parameters:

Air permeability	Class 3, EN 12207
Water tightness	Class E900 (900 Pa), EN 12208
Wind load resistance	Class C5/B5, EN 12210
Thermal insulation	U_D from 0.7 W/m ² K
Burglary-resistance	RC2

XPS polyurethane foam ensures an excellent thermal insulation

Specially designed weather strips provide high water tightness and low air permeability, bringing both a comfort and a potential for cost savings

MB-70

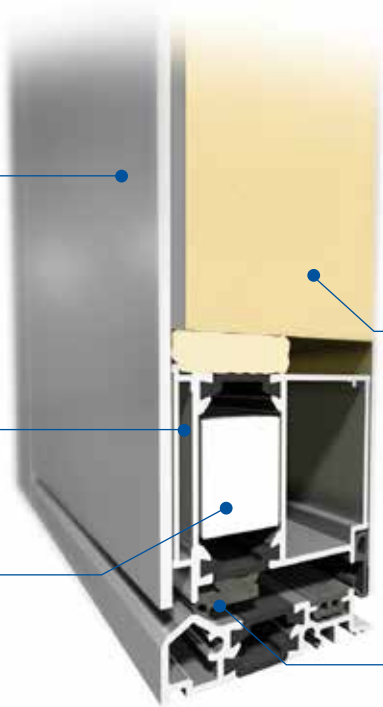
U_D from 0.9 W/m²K

The structure of panel doors is based on the popular thermally broken aluminium sections MB-70 and MB-70HI which complete the range of energy-efficient doors in the Aluprof portfolio. Similarly to other panel door system the leaf profile is designed for coupling with special infill panels that can be installed flush with the door frame plane.

Elegant decorative panels, available in many different patterns and RAL colours and wood effect finishes

Expansion profiles

Two design variants: MB-70 and MB-70HI for a very good thermal performance



Technical details:

Frame depth	70 mm
Leaf depth	70 mm
Infill panel thickness	44 -70 mm
Maximum dimensions of the leaf	(H×L) L up to 1200 mm, H up to 2400 mm

Technical parameters:

Air permeability	Klasa 4, EN 12207
Water tightness	Klasa 7A (300 Pa), EN 12208
Wind load resistance	Klasa C5/B5, EN 12210
Thermal insulation	U_D from 0.9 W/m ² K
Burglary-resistance	RC2

XPS extruded polystyrene with enhanced thermal insulation

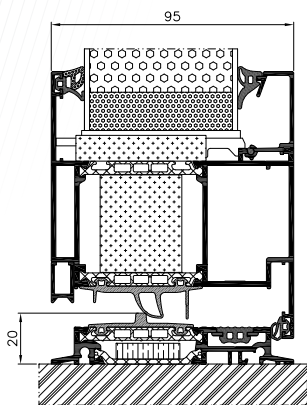
Specially designed weather strips provide high water tightness and low air permeability, bringing both a comfort and a potential for cost savings

BASIC



Insert panels

- Double glazing units, U_g coefficient of U_g 0.5 W/m²K or of 0.7 W/m²K
- 44 to 72 mm thick panel
- Thermal transmittance for MB-70HI doors U_D from 1.3 W/m²K, for MB-79N doors U_D from 1.0 W/m²K, for MB-86 doors U_D from 0.8 W/m²K and for MB-104 doors U_D from 0.63 W/m²K
- Four versions: ST, HI, SI, SI+ and Aero

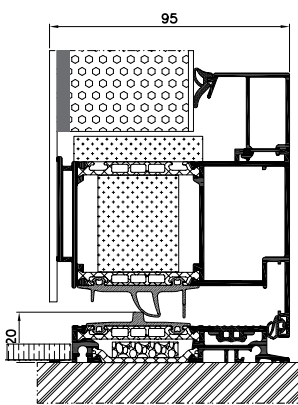


CLASSIC



Aligned on one side

- Triple glazing units, U_g coefficient of U_g 0.5 W/m²K or of 0.7 W/m²K
- 44 to 85 mm thick panel
- Thermal transmittance for MB-70HI doors U_D from 1.1 W/m²K, for MB-79N doors U_D from 0.9 W/m²K, for MB-86 doors U_D from 0.64 W/m²K and for MB-104 doors U_D from 0.48 W/m²K
- Four versions: ST, HI, SI, SI+ and Aero

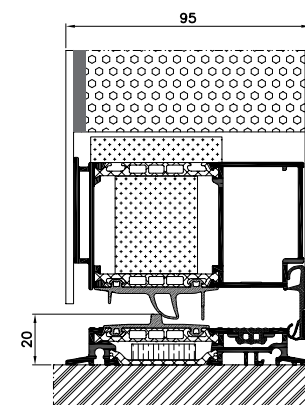


EXCLUSIVE



Aligned on both sides

- Triple glazing units, U_g coefficient of U_g 0.5 W/m²K or of 0.7 W/m²K
- 70 mm thick panel (MB-70 and MB-79N), 77 mm (MB-86) and 95 mm (MB-104 Passive)
- Thermal transmittance for MB-70HI doors U_D from 0.9 W/m²K, for MB-79N doors U_D from 0.7 W/m²K, for MB-86 doors U_D from 0.63 W/m²K and for MB-104 doors U_D from 0.44 W/m²K
- Four versions: ST, HI, SI, SI+ and Aero



All available models can be inserted into the profiles or glued on one or both sides.



AD01

- Pull AS 10 1600
- Glazing (front): VSG 33.1 thermofloat
- Glazing (center): Satinovo
- Glazing (backside) thermofloat with warm edge spacer
- Colour: RAL 7016



AD02

- Pull AS 10 1600
- Glazing (front): VSG 33.1 thermofloat
- Glazing (center): Satinovo
- Glazing (backside) thermofloat with warm edge spacer
- Inox steel placed outside, aligned
- Colour: RAL 7016



AD03

- Pull AS 10 1600
- Glazing (front): VSG 33.1 thermofloat
- Glazing (center): Satinovo
- Glazing (backside) thermofloat with warm edge spacer
- Inox steel placed outside, aligned
- Colour: RAL 7016



AD04

- Pull AS 10 800
- Glazing (front): VSG 33.1 thermofloat
- Glazing (center): Satinovo
- Glazing (backside) thermofloat with warm edge spacer
- Inox steel placed outside, sticked
- Colour: RAL 7016



AD05

- Pull AS 20 800
- Glazing (front): VSG 33.1 thermofloat
- Glazing (center): Satinovo
- Glazing (backside) thermofloat with warm edge spacer
- Inox steel placed outside, sticked
- Colour: RAL 7016



AD06

- Pull AS 10 1400
- Glazing (front): VSG 33.1 thermofloat
- Glazing (center): Satinovo
- Glazing (backside) thermofloat with warm edge spacer
- Inox steel placed outside, aligned
- Colour: RAL 7016



AD07

- Pull AS 10 1600
- External millings
- Colour: RAL 7016



AD08

- Pull AD 134 1200
- Glazing (front): VSG 33.1 thermofloat
- Glazing (center): sandblasted glass with transparent strips
- Glazing (backside) thermofloat with warm edge spacer
- Inox steel placed outside, aligned
- Colour: RAL 7016



AD09

- Pull AS 10 800
- Glazing (front): VSG 33.1 thermofloat
- Glazing (center): Satinovo
- Glazing (backside) thermofloat with warm edge spacer
- External millings
- Colour: RAL 7016



AD10

- Pull AS 10 1200
- External millings plus inox steel placed outside
- Colour: RAL 7016



AD11

- Pull AS 20 1200
- Glazing (front): VSG 33.1 thermofloat
- Glazing (center): Satinovo
- Glazing (backside) thermofloat with warm edge spacer
- External millings
- Colour: RAL 7016



AD12

- Pull AS 10 1400
- Glazing (front): VSG 33.1 thermofloat
- Glazing (center): Satinovo
- Glazing (backside) thermofloat with warm edge spacer
- External millings
- Colour: RAL 7016



AD13

- Pull AS 10 1200
- Glazing (front): VSG 33.1 thermofloat
- Glazing (center): Satinovo
- Glazing (backside) thermofloat with warm edge spacer
- Wood-like or inox steel placed outside, aligned
- Colour: RAL 9007



AD14

- Pull AS 10 1200
- Inox steel placed outside, aligned
- Colour: RAL 7016



AD15

- Pull AZ76
- Glazing (front): VSG 33.1 thermofloat
- Glazing (center): Satinovo
- Glazing (backside) thermofloat with warm edge spacer
- Inox steel placed outside, aligned
- Colour: RAL 7016/RAL 3004



AD16

- Pull AW72
- External millings
- Colour: RAL 7001



AD17

- Pull AS 10 1600
- Colour: RAL 3004



AD18

- Pull AW10
- Inox steel placed outside, aligned
- Colour: RAL 7016



AD19

- Pull AS 10 800
- Glazing (front): VSG 33.1 thermofloat
- Glazing (center): sandblasted glass with transparent strips
- Glazing (backside) thermofloat with warm edge spacer
- Colour: RAL 7001



AD20

- Pull AS 10 1400
- Glazing (front): VSG 33.1 thermofloat
- Glazing (center): Satinovo
- Glazing (backside) thermofloat with warm edge spacer
- Inox steel placed outside, aligned
- Colour: RAL 7016



AD21

- Pull AS 10 1200
- Glazing (front): VSG 33.1 thermofloat
- Glazing (center): Satinovo
- Glazing (backside) thermofloat with warm edge spacer
- Aligned, wood-like
- Colour: RAL 9010



AD22

- Pull AS 10 1000
- Glazing (front): VSG 33.1 thermofloat
- Glazing (center): Satinovo
- Glazing (backside) thermofloat with warm edge spacer
- Inox steel placed outside, aligned
- Colour: RAL 7016



AD23

- Pull AS 10 1200
- Glazing (front): VSG 33.1 thermofloat
- Glazing (center): Satinovo
- Glazing (backside) thermofloat with warm edge spacer
- External millings
- Colour: RAL 7016



AD24

- Pull AS 10 1400
- Inox steel placed outside, aligned
- Colour: RAL 7016/Wood-like
- Wood-like colour: ADEC O205 Walnut Vein



AD25

- Pull AS 10 1400
- Glazing (front): VSG 33.1 thermofloat
- Glazing (center): Satinovo
- Glazing (backside) thermofloat with warm edge spacer
- External millings plus stainless steel, placed outside, aligned
- Colour: RAL 9016



AD26

- Pull AS 10 1600
- Glazing (front): VSG 33.1 thermofloat
- Glazing (center): Satinovo
- Glazing (backside) thermofloat with warm edge spacer
- Inox steel placed outside, aligned
- Colour: RAL 3004



AD27

- Pull AS 10 1800
- Glazing (front): VSG 33.1 thermofloat
- Glazing (center): Satinovo
- Glazing (backside) thermofloat with warm edge spacer
- Inox steel placed outside, aligned
- Colour: RAL 7016



AD28

- Pull AS 10 1400
- Glazing (front): VSG 33.1 thermofloat
- Glazing (center): Satinovo
- Glazing (backside) thermofloat with warm edge spacer
- Inox steel placed outside, aligned
- Colour: RAL 9016



AD29

- Pull AQ10 1020 1600 mm
with RAL 9005 powder coating
- External millings
- Colour: RAL 7016
- Wood-like colour: ADEC C212 Gean



AD30

- Pull AW25
- External millings
- Colour: RAL 3003



AD31

- Pull AW104
- External millings
- Colour: RAL 7001



AD32

- Flush-mounted pull: AW23,
L-1400 mm, inox steel
- Colour: RAL 9007



AD33

- Flush-mounted pull: L - 1000 mm integrated with the panel, with matching powder coating
- Decoration: flush-mounted stainless steel
- Colour: RAL 9016



AD34

- Flush-mounted pull: L - 1000 mm integrated with the panel, with matching powder coating
- Decoration: wood-effect powder coating
- Colour: RAL 9016
- Colour: wood effect ADEC D207 Winchester



AD35

- Flush-mounted pull: L - 1600 mm integrated with the panel, with matching powder coating
- Front glazing: Thermofloat VSG 33.1
- Centre glazing: Satinovo
- Back glazing: Thermofloat, with a warm edge spacer bar
- Colour: RAL 9016



AD36

- Flush-mounted pull: L - 1600 mm integrated with the panel, with matching powder coating
- Decoration: flush-mounted stainless steel
- Colour: RAL 7016

Models with a flush-mounted, integrated pull available for profiles from 65 to 95 mm thick.



AD37

- Flush-mounted pull: L - 1600 mm integrated with the panel, with matching powder coating
- Decoration: milled on the exterior
- Colour: RAL 9007



AD38

- Flush-mounted pull: L - 1600 mm integrated with the panel, with matching powder coating
- Colour: RAL 9007

Models with a flush-mounted, integrated pull available for profiles from 65 to 95 mm thick.





AD39

- Flush-mounted pull: L - 1600 mm integrated with the panel, with RAL 9005 powder coating
- Colour: concrete effect



AD40

- Pull: AQ 1020 1600
- Colour: concrete effect



AD41

- Pull: AQ 1020 1600 with RAL 9005 powder coating
- Front glazing: Thermofloat VSG 33.1
- Centre glazing: Satinovo
- Back glazing: Thermofloat, with a warm edge spacer bar
- Colour: concrete effect



AD42

- Pull: AQ 1020 1600
- Decoration: 3D stainless steel on the outside
- Colour: concrete effect

Models with a flush-mounted, integrated pull available for profiles from 65 to 95 mm thick.



AD43

- Pull: AQ 1020 1600 with RAL 9005 powder coating
- Colour: Makalu; natural stone



AD44

- Flush-mounted pull: L: 1600 mm integrated with the panel, with RAL 9005 powder coating
- Colour: Makalu; natural stone

The images and the colour of the stone are provided as a visual reference.
The type of stone selected, its structure and its thickness may vary slightly on account of its natural characteristics.

Models with a flush-mounted, integrated pull available for profiles from 65 to 95 mm thick.





AD45

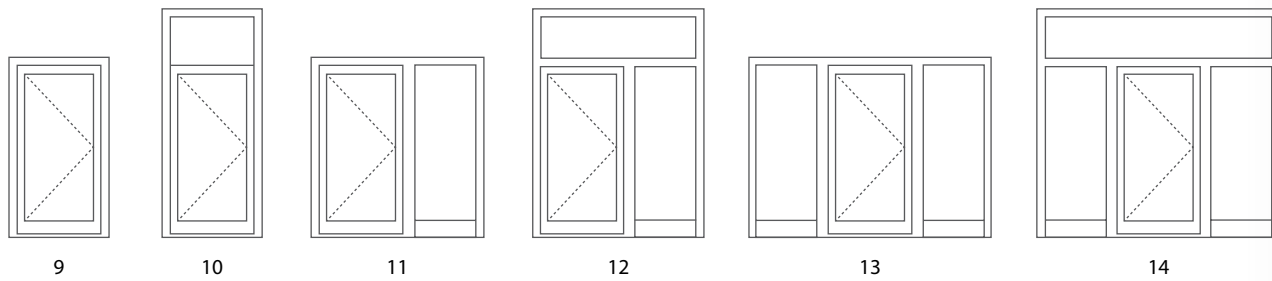
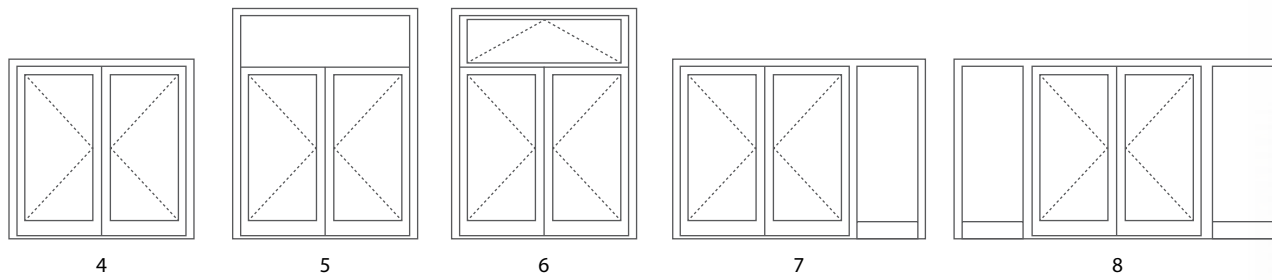
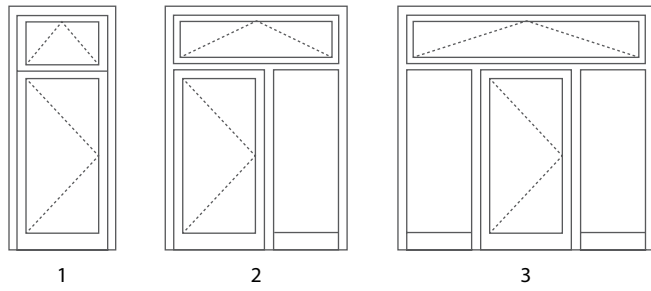
- Flush-mounted pull: L: 1600 mm integrated with the panel, with RAL 9005 powder coating
- Colour: Everest; natural stone

AD46

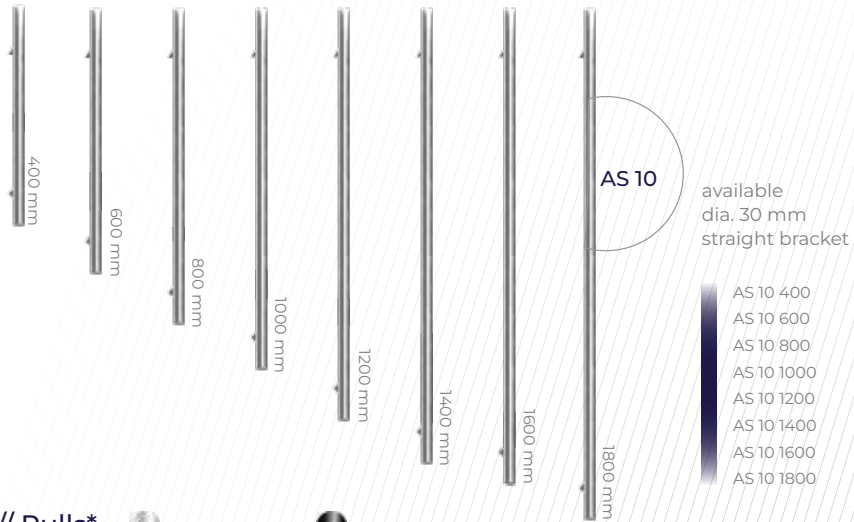
- Pull: AQ 1020 1600 with RAL 9005 powder coating
- Decoration: 3D stainless steel on the outside
- Colour: RAL 7016 / Annapurna; natural stone

The images and the colour of the stone are provided as a visual reference.
The type of stone selected, its structure and its thickness may vary slightly on account of its natural characteristics.

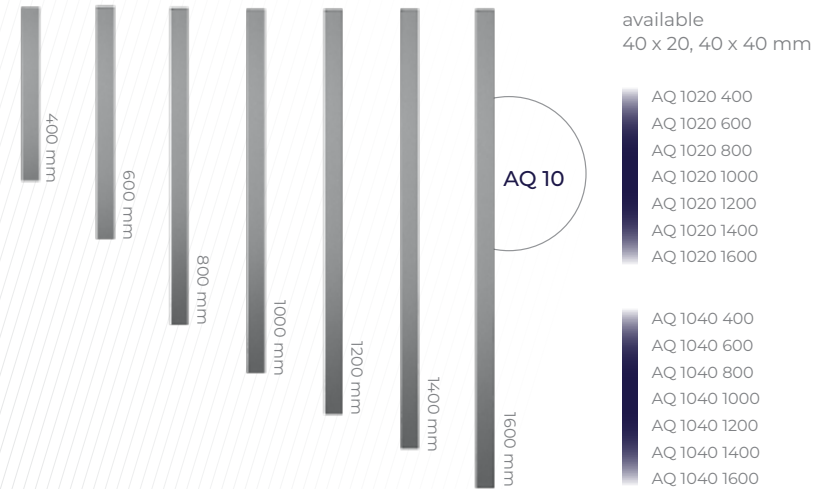
Models with a flush-mounted, integrated pull available for profiles from 65 to 95 mm thick.



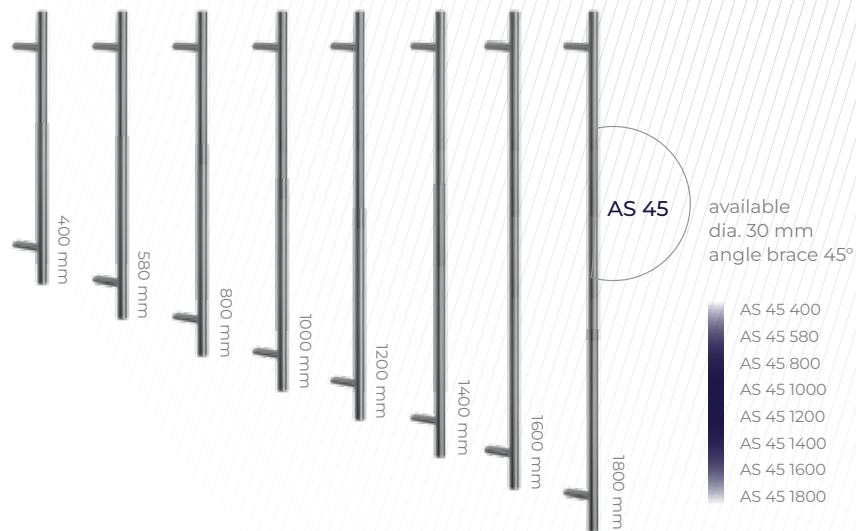
// Pulls*  stainless steel  black



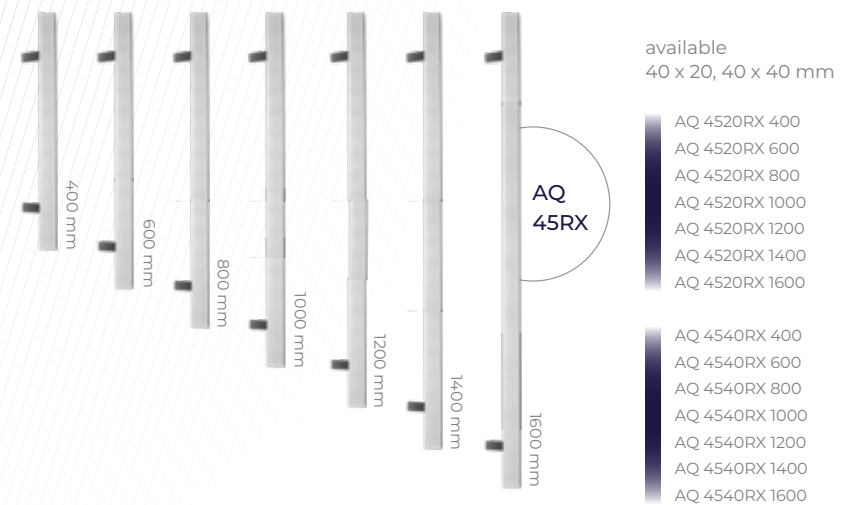
// Pulls*  stainless steel  black



// Pulls*  stainless steel  black



// Pulls*  stainless steel  black



* Mounting kit included - see the price list for details.

and large mounting kits (polyurethane adhesive, activator, primer, sponge to apply the primer + sponge sanding block) and small mounting kits (polyurethane adhesive, sponge to apply the primer + sponge sanding block).

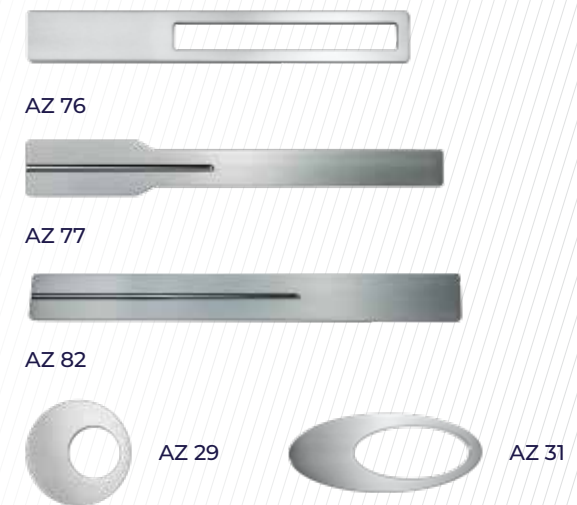
// Pulls*  stainless steel



// Flush fitted pulls  stainless steel  black



// Decorative pulls

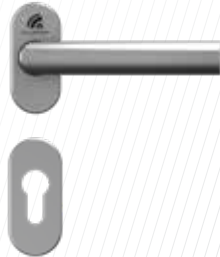


// Lever pull

1924216X
stainless steel,
natural anode
and inox, white,
anthracite, black



1924218X
stainless steel,
natural anode and
inox, white, anthracite,
black



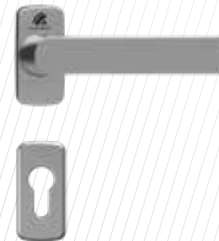
1924230X
stainless steel

8001289X
natural anode,
RAL



1924113X
stainless steel

1924111X
RAL



1924113X
stainless steel

// Rosettes



AR 61421



AR 74421



AR 78421



ARS 10



ARS 20

// Scratch protection



KS100



KS200



KS300



KS400



KS400 BIOKEY

// Kickplates



EK100 kick plate, flush-mounted
or applied with adhesive

// Pull with electronics



Fingerprint scanner

available with the AQ 10 and AQ 45



PWZ integrated with the panel

colour
of pull:
as per
the RAL
chart



PWZ* pull with backlighting



available
with the
AS 10
pull

Micro switch set into the pull*



available
with the
AQ 10
pull



available
with the
AS 10
AS 45
pull

Touch sensor set into the pull*



available
with the
AQ 10
PQ 45
AQ
AW 10
AW 21
AW 22
AW 72
pull

*Available backlight colours:  cool white (standard)  warm white

// Ornaments



Master-Point



Chinchilla



Satinata



Master-Ligne



Master-Carre

Aluprof offers a wide range of glass with motif, glass made of transparent or ornamental glass in its most popular models.

All door models come in variants with sidelight and toplight.

Variant 1: Sandblasted glass (motif)

Variant 2: Transparent glass

Variant 3: Ornamental glass

Variant 4: Safety glass

Sidelights and fixed lights include triple glazing units with warm glass spacers. Sidelights (fixed glazing) can be placed either on one or on both sides of the door assembly.

Maximum sidelight width: 1400 mm

Extra ornaments (optional):

“Master-Point”

“Chinchilla”

“Satinata”

“Master-Ligne”

“Master-Carre”

“Mirrastar” (mirror effect)

“Antisol” (semi-transparent mirror effect)

// Wood effect / Concrete effect



Golden Oak ADEC D101 Rustic Oak ADEC D210 Swamp Oak ADEC D502 Vintage Oak ADEC D825 Ebony ADEC M102 Palisander ADEC M332 Walnut ADEC O102 Walnut Vein ADEC O205 Dark walnut ADEC O306 Mahogany ADEC M103



Mahogany Sapeli ADEC M204 Pine ADEC S106 Pine ADEC S110 Fir ADEC J107 Fir ADEC S208 Beech ADEC B108 Cherry ADEC W109 Wenge ADEC W205 Winchester ADEC D207 Gean ADEC C110

// RAL & structural colours*



Gean ADEC C212 Dark Cherry ADEC C106 Chestnut ADEC K101 Concrete ADEC E137

* All RAL colours and structural colours as per the offer
The colours may vary slightly from the finished product.



Scan the QR code
and download the PDF
onto your mobile device

ALUPROF

ALUMINIUM SYSTEMS

ALUPROF SA

ul. Warszawska 153, 43-300 Bielsko-Biała, Poland
tel. +48 33 81 95 300, fax +48 33 82 20 512
e-mail: aluprof@aluprof.eu, www.aluprof.eu